

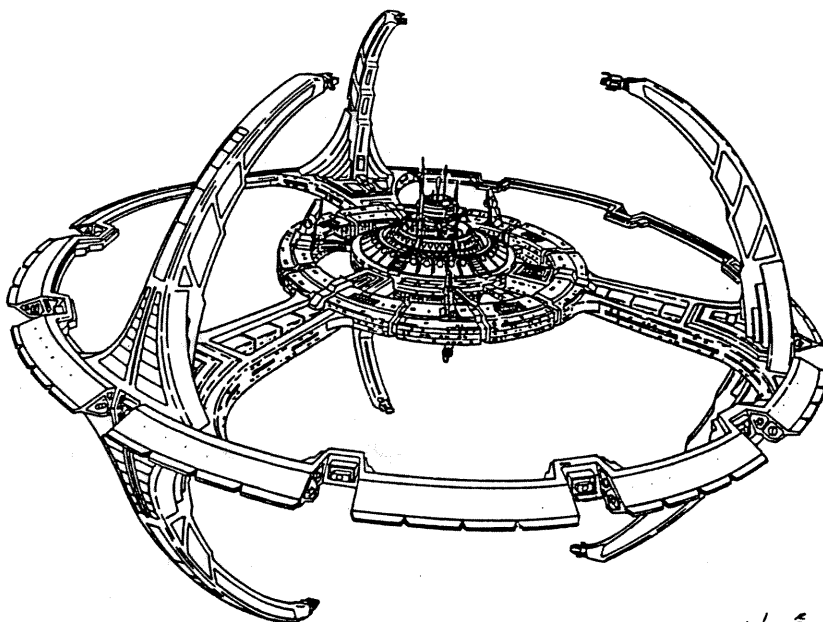


# KELLY COMMUNIQUE

VOLUME TWENTY

JANUARY/FEBRUARY 1993

## STAR TREK DEEP SPACE NINE



572 628

65-87702

996-45532

LCARS

975-663554

DRH

## LOG ENTRY

CAPTAIN'S LOG, Stardate 46010.1. Starfleet has informed me of the loss of one of our sister ships, the U.S.S. Amy. During an incursion of Federation space by the Romulans, the Amy took out two D'Deridex class vessels while sustaining very heavy damage. According to the Amy's last log sent to Starfleet, two more warbirds were approaching on her position. In order to prevent the Romulans from capturing the secrets of the Kelly Class Dreadnoughts, the Captain ordered her destruction. Each of us will mourn our loss in his own way. To maintain a power base in the Romulan sector, Starfleet will be commissioning a new starship of the Kelly Class--the U.S.S. Lisa, NCC-3408.

Are you as excited to see Deep Space 9 as I am? Have you also heard of its competition? Babylon 5, a Rattlesnake production, was bought by KXIV, Channel 14

06-48444

026-58235

027-490027

21-63907

RLH

and its premier episode, "E!", will air February 22, 1993. It's 2257, and Babylon 5 is a five-mile-long space station that serves as an intergalactic U.N. Also introduced, "Time Trax" where the worst criminals in the year 2193 have escaped to 1993. Darien Lambert, a dedicated law enforcement officer, travels back through time to nab the crooks. Premieres January 20. CBS, also getting on the bandwagon with "Space Rangers," premiering January 6, at 8 p.m. In the year 2104, a renegade band of five space cops battles budget cuts, pencil-pushing bureaucrats, and crime, too, using low-tech machine guns and patched-up ships. It looks like Star Trek, with its high ratings, has its own way of bringing the Sci-Fi channels to Utah.

Best wishes to all of you in this new year.

Captain Dennis Hollinger  
U.S.S. Kelly

## ASK NUMBER ONE

Several crewmembers have expressed an interest in the other Kelly Class vessels. In appearance, they are all identical to the U.S.S. Kelly, being the same class and model of Federation improved dreadnought type starship. Technological advances are introduced as upgrades to all of the ships, so there shouldn't be any differences in that respect either. Their mission, as stated in the Kelly Class motto, is "Defending the Final Frontier." Each ship is sent to the sector of space where it is most needed at the time. Current "hotspots" are along the Romulan Neutral Zone, in the sector that the Borg were first encountered, and lately, bordering Cardassian Space. Each starship has its own unique crew, name, and registry number. Each has its own motto to reflect individuality and a personality of sorts.

U.S.S. Kelly	NCC-3400	Commissioned 01 Sep 2371
	<i>"...She's a beautiful lady, and we love her!"</i>	
U.S.S. Jennifer	NCC-3401	Commissioned 17 Jun 2373
	<i>"Peace through superior fire power"</i>	
U.S.S. Trisha Lynn	NCC-3402	Commissioned 02 May 2374
	<i>"Hell hath seen no fury, like a woman scorned."</i>	
U.S.S. Amy	NCC-3403	Commissioned 18 Jan 2375
	<i>"The wind is at our back and power is in our wings!"</i>	
U.S.S. Stephanie	NCC-3404	Commissioned 16 Dec 2375
	<i>"Blijeghbe'chugh vaj blHegh" -- "Surrender or die!"</i>	
U.S.S. Anna Lee	NCC-3405	Commissioned 01 Jan 2377
	<i>"Let the hunt begin!"</i>	
U.S.S. Vanessa	NCC-3406	Not yet commissioned
	<i>"Turn loose the dogs of war"</i>	
U.S.S. Catherine	NCC-3407	Not yet commissioned
	<i>"Fear God and dreadnought"</i>	
U.S.S. Lisa	NCC-3408	Not yet commissioned

Just remember, if you have any questions **ASK NUMBER ONE!!!**

LCARS

MPL

# JANUARY 1993

Sunday	Monday	Tuesday	Wednesday	Thursday	Friday	Saturday
					1 Happy New Year	2 Tactical Meeting 6 p.m. at Rex's
3	4 Happy Birthday Klamber, Brasher, Matt Feuser (Rasmussen)	5 Deep Space Nine Premier 7 p.m.	6	7	8	9 Simulator Tour at Christa McAuliffe Center 11 a.m.
10	11 Security Meeting	12	13	14 Testing Day (Appointment Only)	15 Happy Birthday Jennifer Seenev	16
17	18	19 Senior Staff Meeting	20 Happy Birthday DeForest Kelley	21	22 Happy Birthday Nada Henline	23 Happy Birthday Debra Harlin
24	25 Happy Birthday Marie Oliver	26	27 Pack Meeting (Talk to Rex)	28 Happy Birthday Susan Howard (Nara)	29	30
31 Happy Birthday Jean Simmons (Admiral Satie)						

TO GET TO THE MC AULIFFE CENTER, YOU TAKE I-15 SOUTH TO THE PLEASANT GROVE EXIT. FOLLOW THE SIGNS TO PLEASANT GROVE. YOU ARE ON 500 EAST. GO TO THE LIGHT ON STATE STREET & TURN RIGHT. YOU'LL SEE THE SIGN THAT SAYS "WELCOME TO PLEASANT GROVE." AFTER THE SIGN, THE ROAD SPLITS, MAKE A LEFT TURN PAST A TEXACO STATION. GO UP CENTER ST. 2 BLOCKS PAST STOP LIGHT TO THE SCHOOL. GO INTO THE WEST END. 95 N. 400 E.

THE NEXT GENERATION IS IN 217 USA TV MARKETS, 20 MILLION VIEWERS WATCH IT EACH WEEK. IT HAS 99% NATIONAL COVERAGE. DS9 HAS BEEN SOLD IN 200 MARKETS, SO FAR.

58-30786

# FEBRUARY 1993

PARAMOUNT HAS OKAYED "STAR TREK VII: NOW" FOR A DECEMBER '93 RELEASE. MANY RUMORS ON SCRIPT, THE PLOT POSSIBLY BASED ON LEONARD NIMOY SCRIPT. DETAILS AS THEY BECOME AVAILABLE.

SEVERAL PEOPLE HAVE EXPRESSED INTEREST IN GETTING THE RED KELLY T-SHIRTS. WE WILL TRY IT ONE MORE TIME. FOR EACH SHIRT YOU WANT, GET \$10 TO COMMANDER NADA BY JANUARY 25.

Sunday	Monday	Tuesday	Wednesday	Thursday	Friday	Saturday
	1	2 Happy Birthday Brent Spiner	3	4 Happy Birthday DUSCIN Conrady, John Schuck (Klingon Ambassador)	5	6 Kelly Talent Showcase 3 p.m. at Sandy Library
7	8 Happy Birthday Paul Wegener	9	10	11 Testing Day!!! (Appointment Only)	12	13 Happy Birthday Susan Oliver (Vina)
14 Happy Valentine's Day	15	16 Senior Staff Meeting Happy Birthday Levar Burton	17 Happy Birthday Michelle Forbes	18	19 Kelly Auction 7 to 10 p.m. Bring your money and be prepared for some real bidding action	20
21	22	23 Happy Birthday Madal Barrett (Nurse Chapel/ Leaxana Troi)	24	25	26	27
28						

LCARS

70-24287

831-68432

155-964873

77-00533

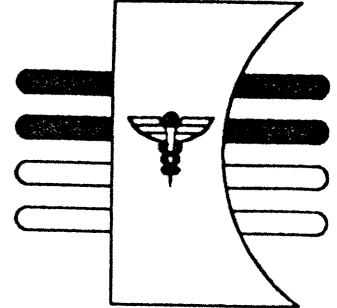
RLH



UNITED FEDERATION OF PLANETS  
MILITARY DIVISION  
STARSHIP CREW PROFILE  
Stardate: 46010.1



name READING, SUZANNE  
rank 2ND CLASS CREWMAN  
position MEDICAL  
service number M 632-513  
security level 1  
race BETAZOID  
character



59-62001

369-65320

438-051385

LCARS

70-36651

Hello, my name is Suzanne Reading. I am a licensed clinical social worker. I work for Granite School District doing counseling with elementary school children, along with family counseling for the district. I also have a small private practice. I was born and raised most of my life in Salt Lake City except for the years we lived in California while my dad attended Stanford University to get his Masters and Ph.D. degrees. I have also lived in Michigan and Wyoming. I'm married to a great guy named Victor and I have a beautiful son, Andrew, who arrived four years ago on my birthday! We live in a house in West Jordan with our other "child," a Siberian husky.

I've been an avid Star Trek fan since 1966. I've seen every classic episode a dozen times through the years and every TNG episode at least 3 times (as I know most of you have, too!) I'm always one of the first ones in line at the theater when the movies premier and I belong to the Official Fan Club. I have attended three conventions (one out of state) and I'm planning to go to Creation's Grand Slam in L.A. in April '93. The conventions are my favorite thing, a whole day or more of nothing but Star Trek is heaven to me!

I must admit that I was such a die-hard Classic Trek fan that I was skeptical of TNG when it came out. Feeling like lightning couldn't strike twice, I was sure that this new series would be a cheap rip-off of my beloved Classic Trek, so I foolishly refused to watch the 1st season! Then one day while flipping through the channels, I caught the last 10 minutes of "The Child." As I watched Troi grieve the death of her "child," I fell in love with the crew and I've been a goner ever since. My husband says that I'm a sucker for a sob story (that's probably why I was drawn to the counseling profession).

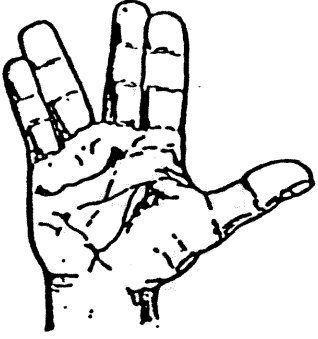
I've recently discovered the fun locked away in the pages of the Star Trek books. I've begun reading TNG books first. I've read 16 now, with Imzadi, Strike Zone and Imbalance as my favorites. If you haven't read any of these you are really missing out! I especially appreciated them when channel 13 stopped running TNG each night. I felt like I was in a Star Trek drought--having to wait from Sunday to Sunday with nothing in between! With the books I was able to stay with the crew all week!

I do have other interests in my life, even though some people who know me think I have Star Trek on the brain all the time, but I do know the value of having balance in one's life. I like to golf, bowl, snow and water ski, ride horses, camp and scuba dive (I met my husband scuba diving). I also love to do crafts of all kinds, including tole painting and calligraphy. I like to cook and bake, I work out at a spa three times a week and I love animals.

58-30786

I want to thank everyone on the Kelly for the warmth and friendship I have received! At first, I was afraid I might not be accepted into your group but I was wrong. Everyone has been so kind and accepting. I have been so impressed with the quality of the activities that are organized. I've had a lot of fun and I plan to continue to be quite active with the Kelly. I'd like to thank everyone, especially the command staff for all of the work they put into the group! Thanks for being here and for giving us true fans more of the Star Trek universe right here at home!

END OF TECHNICAL FILE: READING, SUZANNE



"I FIND THIS COMMUNIQUE FASCINATING. I'LL TAKE FIVE."

LCARS

10-24287

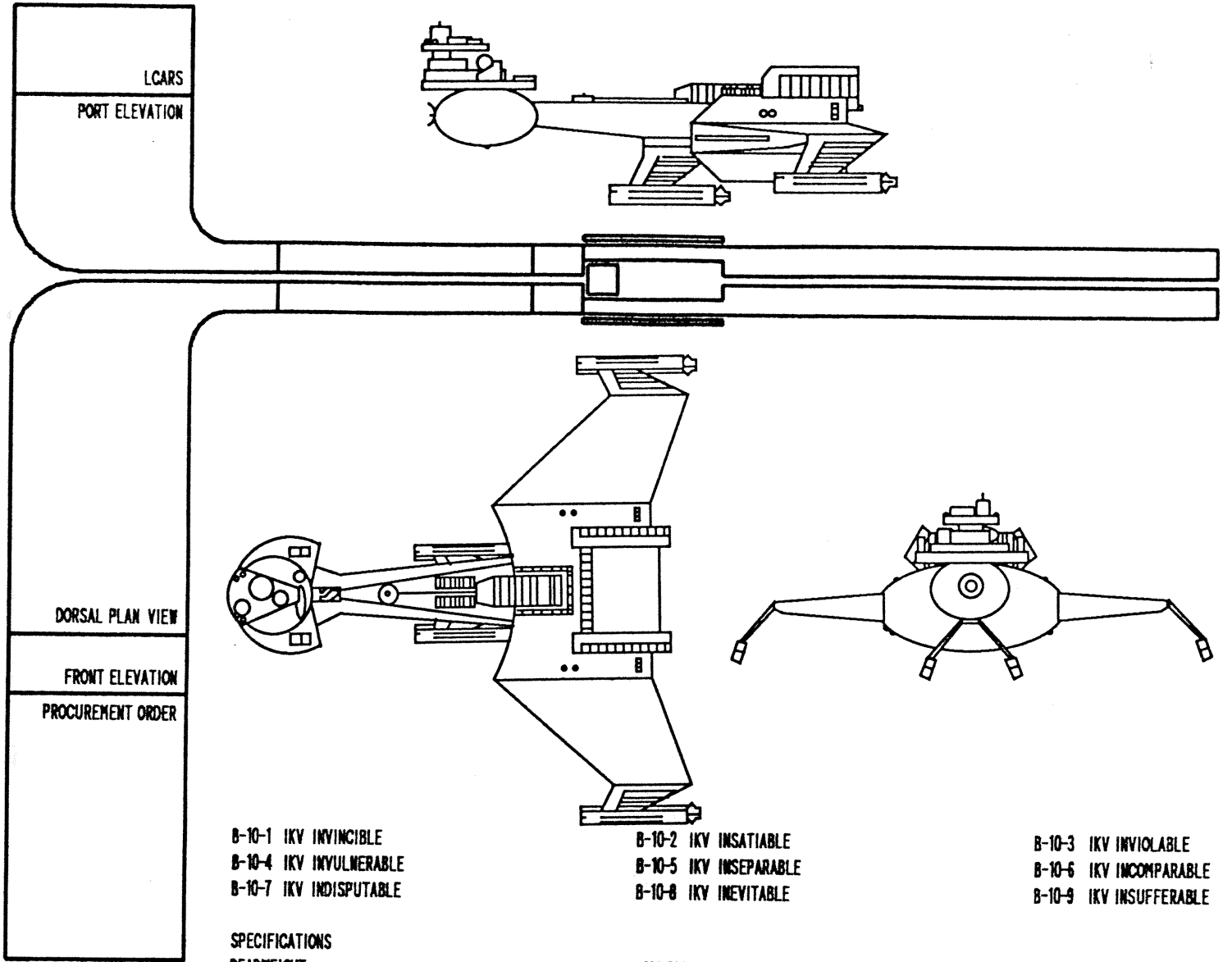
831-68432

155-964873

77-00933

RLH

# KLINGON INVINCIBLE CLASS



- B-10-1 IKV INVINCIBLE
- B-10-4 IKV INVULNERABLE
- B-10-7 IKV INDISPUTABLE

- B-10-2 IKV INSATIABLE
- B-10-5 IKV INSEPARABLE
- B-10-8 IKV INEVITABLE

- B-10-3 IKV INVIOLEABLE
- B-10-6 IKV INCOMPARABLE
- B-10-9 IKV INSUFFERABLE

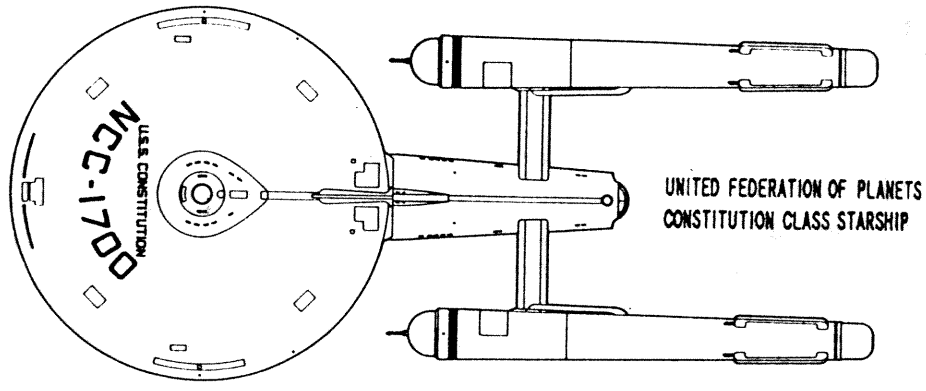
**SPECIFICATIONS**

DEADWEIGHT .....	332,500mt
OVERALL LENGTH .....	363m
OVERALL BEAM .....	345m
OVERALL HEIGHT .....	132m
CREW .....	812
DISRUPTORS .....	10
STASIS FIELD GENERATORS .....	2

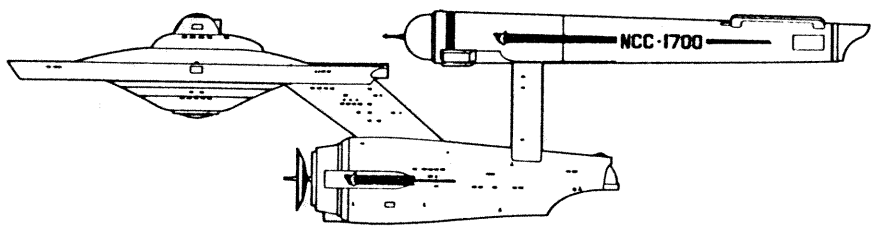
PHASERS .....	15
PHASERS (POINT DEFENSE) .....	6
DRONE RACKS .....	8
ANTI-DRONE SYSTEMS .....	2
SHUTTLECRAFT .....	4
FIGHTERS .....	8

"A KLINGON WARSHIP IS NOT SOMETHING THAT FIGHTS AN ENEMY, BUT SOMETHING THAT HAPPENS TO AN ENEMY."

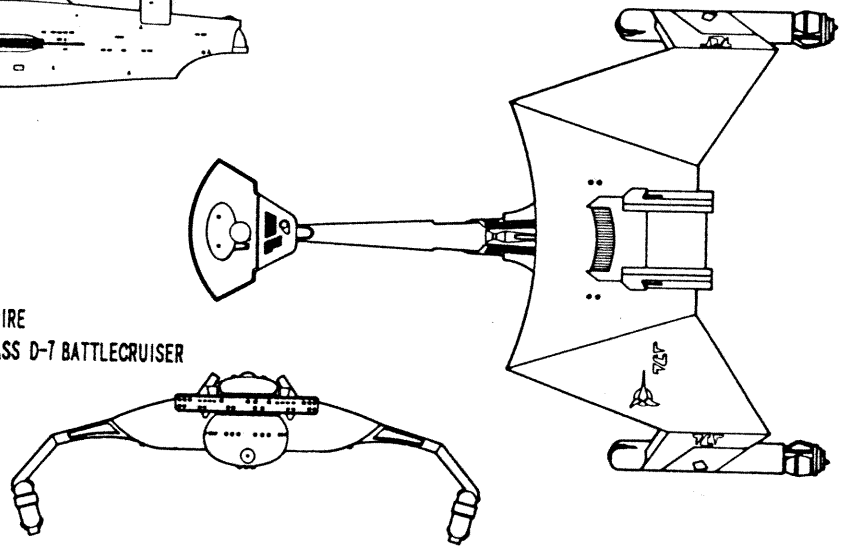
## B-10 BATTLESHIP



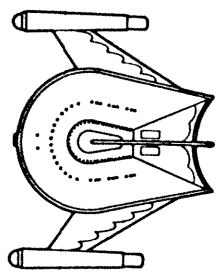
UNITED FEDERATION OF PLANETS  
CONSTITUTION CLASS STARSHIP



KLINGON EMPIRE  
KLODODE CLASS D-7 BATTLECRUISER



ROMULAN STAR EMPIRE  
"BIRD OF PREY" CRUISER



THOLIAN ASSEMBLY  
SCOUT SHIP



58-30786

LCARS

10-24287

831-68432

155-964873

77-00533

RLH

## DEEP SPACE NINE

06-48444

026-58235

027-490027

21-63907

RLH

Captain's Log, Captain Jean-Luc Picard reporting, Stardate 46385.1. The Enterprise has arrived at Station Deep Space Nine in orbit of the planet Bajor. Our mission is to coordinate relief efforts following the withdrawal of Cardassian occupational forces that have ruled Bajor for decades.

I am shocked by the conditions that have greeted us. Bajor has been robbed of every valuable resource. Our relief efforts are barely adequate. The space station, originally built by the Cardassians as a transport site for their Bajoran mining operations, is in ruin.

A Starfleet detachment, under the leadership of Commander Benjamin Sisko, is due shortly to take command of the station. He will be assisted by Chief Miles O'Brien, a valued member of my crew who has accepted a transfer and a promotion to Chief Operations Officer of Deep Space Nine.

I am concerned, frankly, about the choice of Sisko to head this team. Although he has served with honor during his Starfleet career, he has turned down several other assignments in recent years and only reluctantly accepted this posting. He is raising a son alone and apparently objects to the environment. I can sympathize with his concerns, but as Starfleet officers, we do not always have the luxury of serving in an ideal environment.

Chief O'Brien and the Bajoran liaison officer, Major Kira Nerys, have been working 26 hours a day to get essential systems functioning on the station. Kira is a former Bajoran freedom-fighter who is not happy that the Federation has been invited here by her government. I've been told Commander Sisko requested that a Bajoran national be assigned as his first officer. But now that I've met the young woman, I predict that she will pose significant problems to his command.

There are continuing incidents of break-ins and robberies on the station's promenade, but I have been impressed with the efficient response of the Chief of Security, an alien shape-shifter whose name is Odo. According to Odo, much of the looting can be traced to a Ferengi named Quark who runs the gambling facility on the station and has a hand in virtually every illegal activity in the system.

Starfleet has assigned two other senior officers to assist Commander Sisko. His Chief Medical Officer will be Dr. Julian Bashir, who is on his first assignment since graduation second in his class from Starfleet Medical. Arriving with Bashir will be the Chief Science Officer, Jadzia Dax, from the joined species known as the Trill. The symbiont life form that lives within this female humanoid is almost 300 years old and has lived in six previous host bodies, both male and female.

The challenges that face Commander Sisko are enormous. It will take a man of extraordinary power and commitment to succeed here. Unfortunately, there are rumors that Sisko is considering resigning from Starfleet.

Is he the man for this job? I will have to reserve judgment.

Computer, end log entry.

LCARS

NPL



## THE BAJORAN WORMHOLE

Wormholes, simply put, are shortcuts through space. You go in one end and come out the other in seconds...but find yourself billions of kilometers away. All known wormholes previously encountered in the Star Trek universe have been unstable. Their ends can whip randomly around the universe...they last for brief periods of time before collapsing. But, in our pilot episode, the first stable wormhole is discovered near the Denorios asteroid field, close to the planet Bajor. Like other wormholes, it is only visible when an object enters or exits through it.

98-30786

A brief journey through the Bajoran Wormhole will take a starship to the Gamma Quadrant...normally a sixty year journey at warp nine. The ride is a spectacular light show, with brilliant colors surrounding the ship...while inside, strange visual distortions affect perceptions as passengers tear through the space-time continuum. (There will be different optical effects going the opposite direction through the wormhole.)

This wormhole is a new passageway to hundreds of unexplored sectors of space. And it will turn Bajor into the leading center of commerce and scientific exploration in the sector...attracting travelers from all over the galaxy.

In the first episode, we learn that the wormhole has been artificially created by a species of aliens that do not live in the same space-time continuum as we do. Thus, we encounter them unexpectedly within the wormhole itself. They have been sending out orb-like probes from the wormhole, one orb every century for a thousand years, seeking contact with other lifeforms.

## SPACE STATION--DEEP SPACE 9

The station designated DS9 by Starfleet was assembled haphazardly over several years by Cardassian and Bajoran work teams and anybody else who happened to offer services at a premium. It was used by the Cardassians primarily to monitor mining operations on Bajor and to service incoming and outgoing crews. About two hundred people, mostly Bajorans, still live there. By episode three, there will be about fifty Starfleet officers and crewmen stationed there.

When the Cardassians abandoned Bajor, they stripped the station of all advanced technology and defense capabilities...and the Starfleet team has a huge job of making it operational again. In fact, it will never work up to our requirements and will always be causing the engineering crew a lot of headaches.

The Operations Control Center (OPS), the heart of the space station is a multi-tiered facility lined with computer and life support systems, tactical controls, the master communications panel and a transporter padd to beam on and off the station (further design specifications to follow). It is always a hub of activity as ships move in and out of the wormhole. There are shuttlebays for smaller vessels...larger ships dock outside and crews have access to the station via airlocks and interconnecting tunnels.

On a given day, there might be anywhere from ten to three hundred visitors to DS9 as ships come through...explorers, scientists, merchants, spies...most of the visitors stay on their ships but there are special quarters for some guests. All of their ships need to stop at DS9 to be outfitted and tuned with special impulse energy

LCARS

10-24287

831-68432

155-964873

77-00533

RLH

06-48444

426-58235

027-490027

21-63907

RLH

buffers to travel safely through the wormhole. (In the first episode, we learn that ships' power sources are destructive to the ionic field that is home to the aliens who created the wormhole, and live within it on a different time plane. During that experience, we are told how to travel through without harming them.)

One aspect of life on the space station hasn't changed since the departure of the Cardassians. During their tenure, they sold commercial concessions to the highest bidder to provide services to the mining crews. The result is the Promenade...unlike any space interior ever seen on Star Trek. It's somewhere between a free port and a flea market, bustling with aliens of all sorts when a ship's in...intriguing and unusual characters at every bend. There's gambling and smuggling...alien grifters at work here...bars with sexual holosuites upstairs...right next to traditional ship's stores, a Bajoran temple and a kiosk serving live food. Part of the job of the Starfleet team will be to try and 'tame' this honkey-tonk atmosphere.

## STARGAZER

### A MAN CALLED AVERY BROOKS

As Spenser: For Hire's street-smart Hawk, Avery Brooks could hide in the shadows. He wouldn't mind some of that anonymity now. A cult figure before he even hits the screen as Deep Space Nine's Commander Sisko, the actor is already swamped by personal appearance requests from Trek conventions around the globe. And thus far, he's nixing 'em all. "That's why I do what I do," says Brooks, a former Rutgers professor, part-time jazz singer, and Shakespearean. He chuckles at the idea that he--like Shatner and Stewart before him--may soon be a worldwide sex symbol. "My children," he notes, "would also find it rather amusing." What's not funny is the lengthy family separations that Brooks endures to film DS9. He's been living out of an L.A. hotel for months without a break, while wife Vicki and his three kids hold down the fort in New Jersey. He was attracted to the Star Trek family "because of its very positive message--that 300 years hence, the human race will still be alive." For, like Sisko, Brooks has his own demons to battle. "When I look into my kids' eyes, I am not prepared to contemplate a time when they might not survive--so I must fill them with hope, even if I don't have it myself. After all, that's what they look to us for."

### BENJAMIN SISKO

A human Starfleet Commander with a 122-year-old son. His gentle, strong, soft-spoken demeanor belies a temper that he's constantly trying to control. And when he loses it, he gets furious with himself. He's a man of action who gets impatient with too much talk, but as he's become more mature he's learned to stop and think twice before losing control. He has a weakness for baseball...a sport that died out in the 22nd century. He frequently goes into a holosuite to have a catch and a chat with one of his legendary ballplayer heroes.

Sisko was on a starship with his wife and son at the famous encounter with the Borg (led by the Borgified Picard), and his wife was killed. That leads to some bitterness toward Picard. (Picard: Have we met before? Sisko: Yes, we met in battle.) Since that tragedy, he has been assigned to shore duty on Mars working with

LCARS

NPL

the team reconstructing the fleet at the Utopia Planitia Yards.

Sisko objected to being assigned to DS9. He told Starfleet that he has a son to raise, he's been asking for an earth assignment, not this. In our first episode, Sisko even hints that he's considering resigning from Starfleet.

He is a man who carries with him the guilt and anguish of the death of his wife. Until he has an emotional passage in the opening episode, as he confronts aliens in the guise of people from his past, he cannot move on with his life. His important work on DS9 gives him a new direction, but his is still very much a life framed by tragedy.

**MAJOR KIRA**

A former 'Major' in the Bajoran underground, Kira is now an outspoken critic of the provisional government. Having fought for freedom all her life, it has angered her to see the older leaders throw it away through their petty dissensions. She's been trying without success to reach the Kai herself to air her grievances. It's very possible that she was sent by the government to be the Bajoran administrator at the station simply to get her outspoken voice out of earshot.

At first, Kira is not a supporter of Federation involvement at DS9, preferring Bajor to remain independent of all outside interests. As the representative of the Bajorans on board the space station, she has no confidence in Sisko when he arrives. In fact, she's working in his office when he gets there.

Kira loathes the Cardassians. She committed atrocities against them in the name of freedom, some of which bother her. When others in the Bajoran underground begin a new wave of terrorism, she is forced into a moral quandary about tracking them down and bringing them to justice. Former terrorists consider her a turncoat.

**MILES O'BRIEN**

O'Brien has been the Transporter Chief on ST:TNG for five years. This assignment represents a promotion to Master Chief of Operations, and a tremendous career opportunity for him.

He's an Irishman, a man's man, with a down-to-earth quality. He's organized, efficient and smart...and knows the hardware as well as any man in the fleet. He loves his work. He has a wife, KEIKO, and a 3-year-old baby girl, MOLLY. He will be in charge of the comings and goings of vessels, plus the nuts and bolts maintenance of the station. He's constantly frustrated by the jerry-rigged way this place is put together.

Before he joined the crew of the Enterprise, he served aboard the U.S.S. Rutledge along the Cardassian border during territorial disputes that led to bitter fighting. He saw the Cardassians commit unspeakable atrocities and lost close friends in the massacre at Setlik Three. The war changed him, hardened him. The first man he ever killed was a Cardassian who jumped him on patrol. As he tells the story to another Cardassian in the ST:TNG episode "The Wounded," he says "I'd never killed anything before. When I was a kid, I would worry about having to swat a mosquito. It's not you I hate, Cardassian. I hate what I became...because of you."

58-30786

LCARS

10-24287

831-68432

155-964873

77-00933

RLH

**JADZIA DAX**

Science Officer, rank of Lieutenant. An alien woman, very attractive, late twenties.

Dax is a Trill...a "joined" species first encountered in the ST:TNG episode "The Host." A Trill is comprised of two separate but interdependent entities: a host and a symbiont. The host provides a humanoid body. The symbiont is an invertebrate, androgynous lifeform that lives within the host. It looks like a short, fat snake. Many centuries ago, the symbionts lived underground while the humanoids were on the surface...and due to an environmental disaster, they were forced to 'join' to survive. As time went on, this mutual support evolved into a biological interdependency and thus two individuals became one--they speak with one voice (you can't ask to speak with the symbiont or the host, only the combined lifeform). The symbiont's lifespan is far longer than the host's and as a result one symbiont will be combined with several hosts during its life.

As we see in the first episode, when a host dies (in Dax's case, her last host was an elderly man), doctors surgically remove the symbiont. The worm then burrows itself into the new host. Dax's host was joined with her symbiont when she was an adult.

The symbiont part of her is three hundred years old...a brilliant scientist with an innate wisdom...who can draw upon a library of knowledge built from six lifetimes of experience.

The result of this joining is a serene character who brings a calm, centered voice to any discussion...patient, confident and wise...you might think of Dax as an ancient zen master in the body of a twenty-eight-year old woman. There is a subtle conflict within her...a generation gap if you will. The older symbiont suppresses the youthful instincts of the host. And so, sometimes she will seem 'controlled' when a part of her really would like to let go. For example, the 300 year old worm has no use for sex or passion, except as it serves procreation, but occasionally the youthful instincts of the host overcomes that resistance.)

Kira, who forms a very close relationship with Dax, often tells her to loosen up. Dax admires Kira for her youthful energy, her purposes and her drive and becomes something of a mentor to her.

Dax and Ben Sisko have worked together before. The only trouble is that, back then, Dax was still in the host body of an elderly man...and was something of a mentor to Sisko. Her sexually appealing new form will create a certain tension between her and Sisko, which they will both resist. After all, he's still having a hard time getting used to the fact that she's a three hundred year old worm. But he does not hide the respect and affection he has for her.

**ODO**

Alien male, middle aged, curmudgeon...and a shape shifter. In his natural state, he is a gelatinous liquid.

He was the Bajoran law enforcement officer for the space station under the Cardassians. Starfleet decides to have him continue in that role, since he's extremely savvy about the Promenade and all who frequent it.

06-48444

426-58235

027-490027

21-63907

RLH

LCARS

NPL

His back story: fifty years ago, with no memory of his past, he was found alone in a mysterious space craft that appeared near the Denorios asteroid belt. He was found by the Bajora and lived among them. At first, he was sort of an 'elephant man'...a source of curiosity and humor as he turned himself into a chair or a pencil. Finally, he realized he would have to take the form of a humanoid to assimilate and function in their environment. He does it butt he resents it. As a result, Odo performs a uniquely important role in the ensemble - he is the character who explores and comments on human values...and because he is forced to pass as one of us, his point of view usually comes with a cynical and critical edge.

58-30786

He can't quite get it right, this humanoid shape, although he continues to try. So he looks a little 'unfinished' in a way. He's been working on it a long time. Someone might ask him, 'Why don't you take on the form of a younger man?' His answer: 'I would if I could.'

He has the adopted child syndrome of searching for his own personal identity and an inherent insecurity (what better metaphor could there be for an identity crisis than a shape shifter). When the wormhole is discovered very close to where he was originally found, Odo realizes that the answers to a lot of questions in his life could be on the other side. Someday, he hopes, someone will come through the wormhole, perhaps even looking for him, and tell him who he is.

Although he doesn't know anything about his species, he is certain that Justice is an integral part of their being...because the necessity for it runs through every fiber of his body, a racial memory. That's why he became a lawman. And when it comes to doing his job, he doesn't always follow the letter of the law. The way he figures it: laws change, justice is justice. This puts him into conflict with our Commander who tells him he can't take the law into his own hands if he wants to stay on DS9. Kira finds his negative attitude toward authority delightful and they have a Bajoran fellowship.

He has a couple of Bajoran deputies. He doesn't allow weapons on the Promenade. Once every day he must return to his gelatinous form.

**QUARK**

The Ferengi bartender. The Ferengi race has been a part of ST:TNG since the very beginning. They are ugly, sexist, greedy little aliens who are interested only in profit and getting their hands on anything of yours they happen to fancy.

Quark runs many of the entertainment concessions on DS9 including the bar/restaurant/gambling house and the holosuites upstairs (where your every fantasy can be played out). He spends most of his time behind the bar. If there is some scam being run in the sector, it often involves him...but beyond the malevolence, he is a charming host (in a Ferengi sort of way) and forges an interesting relationship with Sisko. They actually enjoy sparring together and now and then the Ferengi lends a hand to solve a problem for the Commander...as long as there's something in it for him. His effete sexist attitudes make Kira an obvious adversary. He is consumed with passion for Dax.

LCARS

10-24287

831-68432

155-964873

77-00533

RLH

WHAT DID NUMBER 1 FIND WHEN HE ENTERED THE TURBO FLUSH?

**DR. JULIAN BASHIR**

Human, male, mid-twenties. Rank of Lieutenant Commander. May have an accent depending on casting.

He is fresh out of Starfleet Medical, graduated second in his class, a brilliant specialist in multi-species medicine. He arrives on DS9 with gung-ho expectations about adventures in Starfleet. He's chosen this remote outpost instead of the cushy job he was offered at Starfleet Medical because this is where the action is, where heroes are made, in the "wilderness." Doctor Bashir is still wet behind the ears and has a lot to learn.

He is the antithesis of Kira who is streetwise, sadder but wiser, cynical. She gets impatient with someone who thinks he knows it all but in fact doesn't. (In time, she will come to realize that when it comes to medicine, he really does know it all). Sometimes she's a little tough on him and Sisko has to pull her back.

O'Brien becomes Bashir's confidant...as a man who has seen combat, a decorated veteran of starfleet duty, O'Brien represents an ideal to the young doctor. He'll ask O'Brien's advice before doing something to make sure he's not out of line. He likes to go to the phaser firing range to practice with O'Brien.

Dax is very protective of Julian, she's seen a lot like him, sees herself as a mother figure although she appears about the same age. Julian, like so many other men on board, has a crush on Dax.

Julian greatly respects Sisko but is terrified of him, is anxious to live up to the Commander's expectations. Sisko is amused by Julian, very patient with him...the doctor reminds him a little of himself when he was starting out, ready to conquer the universe.

**JAKE SISKO**

Benjamin Sisko's son.

**NOG**

One of the other Ferengi who works for Quark has a teenage son who will become friends with Jake.

**GUL DUKAT**

Forties, male. A deceptively amiable Cardassian commander who represents the continuing threat to our people--the militant Empire whose borders are only a short distance away from Bajor and DS9. He used to be Prefect of the Bajoran province when it was under Cardassian domination, thus he is the former landlord of the space station.

**KAI OPAKA**

The spiritual leader of Bajor who provides sharp counterpoint to the secular nature of Starfleet. She challenges conventional human logic.

The Kai explores her guests' 'pagh' (roughly translated: energy meridian) through deep tissue massage of their ears that seems to reveal their true nature.

Opaka tells Sisko in the opening episode that the Commander is on a personal

06-4844

426-58235

027-490027

21-63907

RLH

LCARS

NPL

journey. And that he has been sent to Bajor to find the celestial temple of the prophets - the source of the mysterious orbs. When Sisko investigates, he discovers the wormhole and the aliens who built it.

The Kai seems to have an awareness on a higher plane of consciousness, knows things she cannot possibly know. Although our people do not accept her 'power' at face value, we cannot always explain them either. She speaks in vague, mystical and indirect language, forcing the listener to seek her meaning.

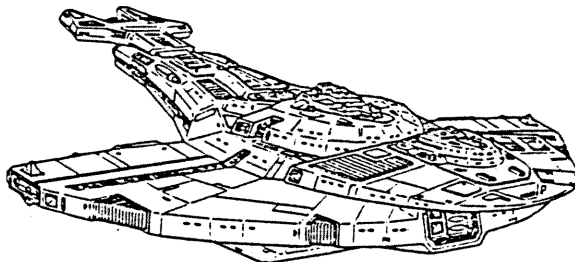
58-30786

# THE CARDASSIANS

KNOW YOUR ENEMY AND KNOW YOURSELF  
AND YOU WILL NEVER BE DEFEATED--Sun Tzu

In our journeys through the galaxy we encounter many different lifeforms. Some of these contacts develop into lasting friendships, some into guarded neutrality and some into outright hostility. The Cardassians fall into this last category. Approximately 40 years ago, the Cardassians annexed the Bajoran home world, forcing them to wander the galaxy, settling wherever they could find room. The Federation was forced, by the Prime Directive, to stand by and watch as the cardassians violated and tortured the Bajorans. Captain Picard was chased from Cardassian space over 20 years ago in the Stargazer. Thirteen years ago (one year prior to the 5th season episode "The Wounded" the Federation signed a peace treaty with the Cardassians after a long war.

During "Maxwell's Folly" we found that the Cardassians were less than sincere in their desire for peace. Several suspicious vessel movements have been detected along the border. After repeated contact in the vicinity of space station Deep Space Nine, we can definitely expect future encounters with the Cardassians.



LCARS

The main Cardassian warship is the Galor Class. There are several different types of this vessel in service. (A type 3 was seen in "Ensign Ro.") They are armed with fore and aft "compressor beams" with an effective range of 300,000 km.

The Cardassians are intelligent, but merciless in their methods. Ruse and deception are their trade and the oblivious will be blown to oblivion. Be ever vigilant.

-Lieutenant Rex Rouviere  
Chief Tactical Officer--U.S.S. Kelly

10-24287

831-68432

155-964873

77-00533

RLH

## THE NEXT NEXT GENERATION

Deep Space Nine (DS9) began production on August 18, 1992 on three huge sound stages, and production continues at warp speed as you read this. The premier episode has been completed and filming is, of course, continuing on the one-hour episodes. The new series will be launched in January of 1993 with Rick Berman and Michael Piller at the comm.

The series takes place in the 24th Century which is the same era as The Next Generation (TNG). It follows the adventures of a team of Starfleet officers who take command of a remote alien space station called Deep Space Nine. It is located near the mouth of a newly discovered, permanent wormhole, providing a short cut to the distant Gamma Quadrant--an unexplored quadrant of the galaxy. This places the DS9 station in a strategic position, a place where travellers, of all types will converge and where it will be vulnerable to hostile alien empires which flank all sides of the station.

The two-hour premier episode reintroduces fans to the Cardassians and Bajora. A century ago the planet Bajor was conquered by the Cardassians. After decades of fighting, the Cardassians withdraw from Bajoran Space but leave the planet in ruins. The Bajora have requested membership in the Federation and it's the Starfleet team's mission to help them with the long process. At the request of the Bajoran's provisional government, Starfleet takes command of the recently abandoned Cardassian space station (DS9) which is in orbit around Bajor. The station is then moved to the mouth of the wormhole.

The cast and crew has been set for the series and are as follows:

Commander Benjamin Sisko played by Avery Brooks: Commander Sisko leads the Starfleet team. He and his wife and son were on a starship at Wolf 359, the famous battle with the Borg and the bloodiest battle in Federation history. It was in this battle that Sisko's wife was killed. Because the attack on their ship was led by the Borg-ified Captain Picard, Sisko still holds Picard responsible for her death. Sisko is a strong character that continues to uphold the high ideals and ethics set forth by Kirk and Picard.

Odo played by Rene Auberjonois: Odo is the Station's Security Officer. He is an alien shape shifter who, in his natural shape, is a gelatinous liquid. He can turn himself into any object or form he wishes. In order to fit in and to function, he takes on a humanoid shape. But he never quite gets it right and always seems to have a sort of unfinished look about him. Odo will be the Spock and Data character of DS9.

Dr. Julian Bashir played by Siddig El Fadil: Dr. Bashir is a Lieutenant (j.g.). He is fresh out of Starfleet Medical (graduating second in his class) and is a brilliant specialist in multi-species medicine. He is naive about the realities that will face him in space and he has high expectations about Starfleet adventures. He still has much to learn about life in general.

Jadzia Dax played by Terry Farrell: Dax is a Starfleet Science Officer. She is also a Trill, (as seen in TNG's episode "The Host") a joined species comprised of two separate but interdependent entities: a host and a symbiont. The host provides the humanoid body and the symbiont is an ancient invertebrate, an androgynous life form. Its last host was a male.

06-4844

426-58235

027-490027

21-63907

RLH

LCARS

NPL



Jake Sisko played by Cirroc Lofton: Jake is Ben Sisko's 14-year-old son. An "army brat" who doesn't remember life on Earth, because he has been raised aboard four different ships and stationed on two planets. He knows his mom would be alive today if they had not lived in space.

Miles O'Brien played by Colm Meaney (of course!): Miles' assignment on DS9 is a promotion for him. He will be Chief Operations Officer. He brings with him his wife, Keiko (Rosalind Chao), and little Molly O'Brien. Both characters will continue to serve aboard the Enterprise until mid-season when the two-hour premiere launched the new series. Conflict arises between Miles and Keiko as she is not thrilled to leave the luxury of the Enterprise to serve on a dangerous space station while raising their child.

Quark played by Armin Shimerman: Quark is a Ferengi barkeeper, a friendly adversary. In keeping with the true nature of the Ferengi (who are ugly, sexist, greedy little aliens) he is involved in several slightly crooked sidelines on the station, such as, gambling and running the holosuites upstairs. He is not always cooperative with our Starfleet officers.

Kira Nerys played by Nane Visitor: Kira is assigned to the space station as Sisko's first officer. She is Bajoran and a former freedom fighter/terrorist who has been fighting for Bajora's independence from the Cardassians most of her life. She is not happy to be working with the Federation, she feels they should not have been called in to help and doesn't like their presence on the station.

-- Rumors have been circulating that Michelle Forbes, the Bajoran Ensign Ro, will be promoted and transferred to DS9 as a regular on the series. This was in the plans originally, but will not be now due to the actress' plans to shoot a movie, instead. She will, however, continue as a recurring character on the Enterprise.

-- There are three soundstages filled with brand new sets for the series. Included in the construction are the operations areas of the space station, with a mini-transporter and commander's office, as well as the commander's quarters, a promenade section of the ship, the bar which Quark runs (among other things), Odo's security headquarters and several large cargo bays. Many unique aliens will be designed for the series and make-up artist Michael Westmore from TNG will be on board to supervise the make-up effects. A new Starfleet spacecraft will be designed, holding a maximum of 25 people. They are called Runabout Class vehicles. So not only will the action take place on the station, but also many other places as they fly around in these new vehicles.

And last, but not least, it has been said that Picard and crew will be visiting DS9 from time to time and they are slated as guest stars in the pilot episode!

Information taken from articles written by Dan Madsen in the #86, 87, & 88 issues of Star Trek Official Fan Club magazine.

written by Crewman 2nd Class Suzanne Reading

FYI-- THE FIRST EPISODE OF DEEP SPACE 9 IS CALLED "THE EMISSARY"?

A GOOD CHUNK OF DEEP SPACE 9'S \$2,000,000 PER EPISODE BUDGET GOES TOWARD EYE-POPPING OPTICAL EFFECTS, LIKE TRAVEL INTO THE WORMHOLE, SPACESHIP FLY-BYS, COSTUMING AND MAKE-UP.

58-30786

LCARS

10-24287

831-68432

155-964873

77-00933

RLH

# STAR TREK THE NEXT GENERATION 6TH SEASON EPISODE GUIDE

06-48444

426-58235

027-490027

21-63907

RLH

	<u>CODE</u>	<u>EPISODE TITLE</u>	<u>STARDATE</u>	<u>AIRDATE</u>
1.	TAr2	TIME'S ARROW PART 2	45959.1	09/27/92
2.	RF	THE REALM OF FEAR		10/04/92
3.	MOP	THE MAN OF THE PEOPLE	46071.6	10/11/92
4.	Rel	RELICS	46125.3	10/18/92
5.	Sc	SCHIZMS	46191.2	10/25/92
6.	TQ	TRUE Q	46192.3	11/01/92
7.	Ra	RASCALS	46235.7	11/08/92
8.	FDa	A FIST FULL OF DATAS	46271.5	11/15/92
9.	QL	THE QUALITY OF LIFE	46315.2	11/22/92
10.	CCo1	CHAIN OF COMMAND, PART 1	46357.4	12/20/92
11.	CCo2	CHAIN OF COMMAND, PART 2		12/27/92
12.	SIB	SHIP IN A BOTTLE		01/31/93
13.	Aq	AQUIEL		02/07/93
14.	FOE	FACE OF THE ENEMY		02/14/93
15.	Tap	TAPESTRY		02/21/93
16.	Bi	BIRTHRIGHT		02/28/93
17.				

WOOKIE GOLDBERG



LCARS

NPL

FYI: WHOOP! GOLDBERG'S REAL NAME IS CARYN JOHNSON

# YANKEE TRADER

When Star Trek: Deep Space Nine premieres in January, fans will see a brand new look at the Star Trek universe. They will also have the opportunity to purchase a multitude of new Deep Space Nine collectibles. As the new year begins, collectors will be able to purchase everything from holograms to video games to trading cards. The A.H. Prismatic Company will be producing holographic products for their DS9 line, including embossed stickers, bookmarks, keyrings, boxes, magnets, badges and buttons, postcards, pens and earrings.

Creation Conventions has been licensed to create many new items, such as bumper stickers, sweatshirts, T-shirts, caps, mugs and jackets, fanny packs, beach towels and notepads.

The Ertl Company has been licensed to produce plastic model kits of the various ships and vehicles, including the Deep Space Nine station itself, for the new series. The Star Trek line has been one of the most successful in Ertl's history.

Some of the classiest products offered have come from the well-known Franklin Mint. They will be producing Calendar Medals - one per year - for Deep Space Nine.

Several years ago, the Lewis Galoob Toy company produced action figures for The Next Generation. Now, continuing in their popular line of micro machines, Galoob will make die-cast metal and plastic micro machines based on Deep Space Nine.

A popular item with children over the last few years have been the removable static-cling decals that they could put on windows, doors, etc. Image Marketing Ltd. will be featuring removable decals all with images from Deep Space Nine.

New Deep Space Nine comic books will soon be hitting the stands from Malibu Graphics Publishing (a rising name in comics). There will be 10 monthly comics and two mini-series of 4 to 5 issues per year.

Many of the Pocket Books novels (both original and Next Generation) have appeared on the New York Times bestseller lists. Now Pocket Books will be publishing Deep Space Nine original novels, companion books, audio cassettes, and hanging wall calendars.

Portal, a company that specializes in creating posters, will be doing Deep Space Nine full-color posters.

One of the hottest collectibles in recent years has been the Star Trek trading card series produced by Skybox (formerly Impel). Their past card series have been extremely high in quality. Skybox will now be producing a Deep Space Nine trading card series, including card albums, tins and "card shirts" (T-shirts imprinted with trading card reproductions).

Last but not least, Tiger Electronics has been licensed to produce Deep Space Nine liquid crystal display hand-held video games, tabletop games, and wristwatch games.

All these products will be appearing throughout the coming year along with myriad other Deep Space Nine, Next Generation, and original series collectibles. With so many new things out in the marketplace, carefully determine which of these best suit your needs. LET THE BUYER BEWARE!!!

58-30786

LCARS

10-24287

831-68432

155-964873

77-00933

RLH

# QUOTE OF THE MONTH

"IT'S NOT YOU I HATE, CARDASSIAN. I HATE WHAT I BECAME BECAUSE OF YOU."

-O'BRIEN, "THE WOUNDED"

THE MINSTREL BOY      --"THE WOUNDED"  
The minstrel boy to the war is gone...  
In the ranks of death you'll find him...  
His father's sword he hath girded on,  
And his wild harp slung behind him...  
Land of song, said the warrior bard,  
Tho' all the world betrays thee,  
One sword at least thy rights shall guard,  
One faithful harp shall praise thee.

# HAILING FREQUENCIES CLOSED

Editing Staff  
CAPT. DENNIS HOLLINGER,  
CMDR. RICHARD HENLINE,  
LT. CMDR. NADA HENLINE

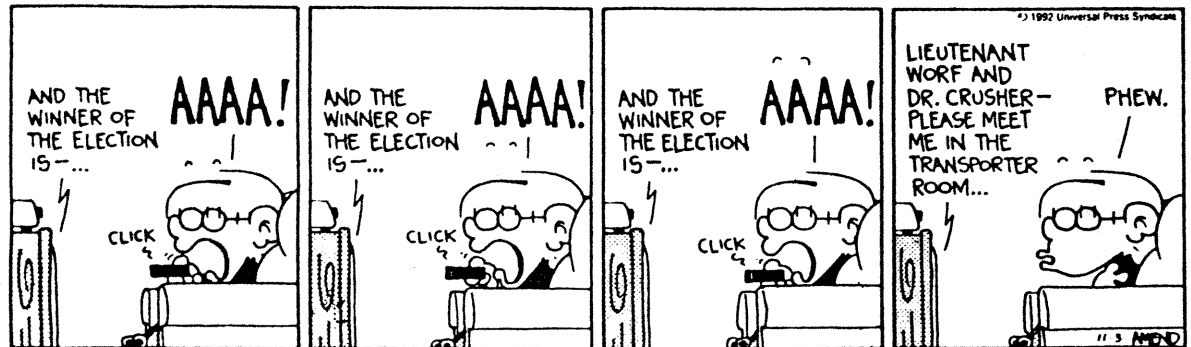
\*\*\*\*\*

THE KELLY COMMUNIQUE IS A NON-PROFIT NEWSLETTER  
PUBLISHED AS A MEANS OF COMMUNICATION BETWEEN STAR TREK FANDOM.  
IT DOES NOT INTEND TO INFRINGE UPON ANY RIGHTS.  
"STAR TREK" IS A REGISTERED TRADEMARK  
OF PARAMOUNT PICTURES CORP.  
ALL RIGHTS ARE RESERVED TO ORIGINAL WORK HEREIN.  
NO COPYING WITHOUT THE PERMISSION OF THE INDIVIDUAL AUTHOR.

U.S.S. KELLY  
NCC-3400  
8891 MINGO PARK DR.  
SANDY, UT 84070-2458  
801-562-2359  
EARTH, SOL SYSTEM

## FOX TROT

BY BILL AMEND



TO: \_\_\_\_\_  
\_\_\_\_\_  
\_\_\_\_\_  
\_\_\_\_\_